

- 1
- 2
- 3
- 4
- 5
- 6
- 7
- 8
- 9
- 10
- 11
- 12
- 13
- 14
- 15
- 16
- 17
- 18
- 19

**MATIÈRE**

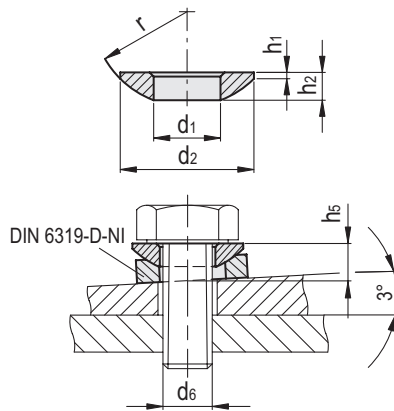
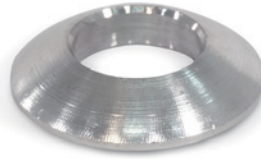
Acier INOX AISI 303.

**EXÉCUTIONS STANDARDS**

- **DIN 6319-C-NI**: rondelle convexe.
- **DIN 6319-D-NI**: rondelle concave avec  $d3 = d2$ .
- **DIN 6319-G-NI**: rondelle concave avec  $d4 > d2$ .

**CARACTÉRISTIQUES ET APPLICATIONS**

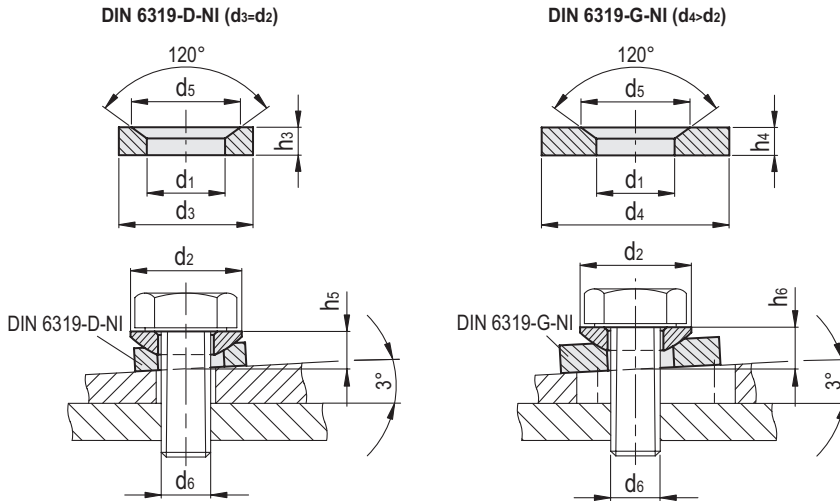
Les rondelles concaves et convexes DIN 6319-NI sont utilisées principalement pour bloquer des pièces mécaniques avec des surfaces non parallèles entre elles.



**DIN 6319-C-NI**

| Code     | Description        | d1 H13 | d2 | d6 Vis | h1  | h2   | h5   | r  | Force statique maximale du boulon [kN] | ⚖   |
|----------|--------------------|--------|----|--------|-----|------|------|----|--|-----|
| GN.30832 | DIN 6319-6,4-C-NI  | 6.4    | 12 | M 6    | 0.7 | 2.3  | 4.2  | 9  | 6                                      | 3   |
| GN.30836 | DIN 6319-8,4-C-NI  | 8.4    | 17 | M 8    | 0.6 | 3.2  | 5.6  | 12 | 10                                     | 4   |
| GN.30842 | DIN 6319-10,5-C-NI | 10.5   | 21 | M 10   | 0.8 | 4    | 6.5  | 15 | 17                                     | 9   |
| GN.30846 | DIN 6319-13-C-NI   | 13     | 24 | M 12   | 1.1 | 4.6  | 8    | 17 | 25                                     | 8   |
| GN.30852 | DIN 6319-15-C-NI   | 15     | 28 | M 14   | 1.2 | 5    | 8.5  | 22 | 34                                     | 11  |
| GN.30856 | DIN 6319-17-C-NI   | 17     | 30 | M 16   | 1.3 | 5.3  | 9.6  | 22 | 47                                     | 10  |
| GN.30862 | DIN 6319-21-C-NI   | 21     | 36 | M 20   | 2   | 6.3  | 11.7 | 27 | 73                                     | 22  |
| GN.30866 | DIN 6319-25-C-NI   | 25     | 44 | M 24   | 2.4 | 8.2  | 15.2 | 32 | 105                                    | 43  |
| GN.30872 | DIN 6319-31-C-NI   | 31     | 56 | M 30   | 3.6 | 11.2 | 19.2 | 41 | 168                                    | 110 |
| GN.30876 | DIN 6319-37-C-NI   | 37     | 68 | M 36   | 4.6 | 14   | 23.5 | 50 | 245                                    | 190 |
| GN.30882 | DIN 6319-43-C-NI   | 43     | 78 | M 42   | 6.5 | 17   | 29   | 58 | 336                                    | 305 |
| GN.30886 | DIN 6319-50-C-NI   | 50     | 92 | M 48   | 8   | 21   | 35.5 | 67 | 441                                    | 540 |

Éléments mécaniques



DIN 6319-D-NI

| Code     | Description        | d1 H13 | d2 | d3 | d5   | d6 Vis | h3  | h5   | Force statique maximale du boulon [kN] | ⚖   |
|----------|--------------------|--------|----|----|------|--------|-----|------|--|-----|
| GN.30902 | DIN 6319-7,1-D-NI  | 7.1    | 12 | 12 | 11   | M 6    | 2.8 | 4.2  | 6                                      | 4   |
| GN.30906 | DIN 6319-9,6-D-NI  | 9.6    | 17 | 17 | 14.5 | M 8    | 3.5 | 5.6  | 10                                     | 5   |
| GN.30912 | DIN 6319-12-D-NI   | 12     | 21 | 21 | 18.5 | M 10   | 4.2 | 6.5  | 17                                     | 6   |
| GN.30916 | DIN 6319-14,2-D-NI | 14.2   | 24 | 24 | 20   | M 12   | 5   | 8    | 25                                     | 10  |
| GN.30922 | DIN 6319-16,5-D-NI | 16.5   | 28 | 28 | 24.8 | M 14   | 5.6 | 8.5  | 34                                     | 441 |
| GN.30926 | DIN 6319-19-D-NI   | 19     | 30 | 30 | 26   | M 16   | 6.2 | 9.6  | 47                                     | 18  |
| GN.30932 | DIN 6319-23,2-D-NI | 23.2   | 36 | 36 | 31   | M 20   | 7.5 | 11.7 | 73                                     | 33  |
| GN.30936 | DIN 6319-28-D-NI   | 28     | 44 | 44 | 37   | M 24   | 9.5 | 15.2 | 105                                    | 61  |
| GN.30942 | DIN 6319-35-D-NI   | 35     | 56 | 56 | 49   | M 30   | 12  | 19.2 | 168                                    | 110 |
| GN.30946 | DIN 6319-42-D-NI   | 42     | 68 | 68 | 60   | M 36   | 15  | 23.5 | 245                                    | 230 |
| GN.30952 | DIN 6319-49-D-NI   | 49     | 78 | 78 | 70   | M 42   | 18  | 29   | 336                                    | 360 |
| GN.30956 | DIN 6319-56-D-NI   | 56     | 92 | 92 | 82   | M 48   | 22  | 35.5 | 441                                    | 640 |

DIN 6319-G-NI

| Code     | Description        | d1 H13 | d2 | d4 | d5   | d6 Vis | h4 | h6   | Force statique maximale du boulon [kN] | ⚖   |
|----------|--------------------|--------|----|----|------|--------|----|------|--|-----|
| GN.31002 | DIN 6319-7,1-G-NI  | 7.1    | 12 | 17 | 11   | M 6    | 4  | 5.4  | 6                                      | 6   |
| GN.31006 | DIN 6319-9,6-G-NI  | 9.6    | 17 | 24 | 14.5 | M 8    | 5  | 7.1  | 10                                     | 14  |
| GN.31012 | DIN 6319-12-G-NI   | 12     | 21 | 30 | 18.5 | M 10   | 5  | 7.3  | 17                                     | 21  |
| GN.31016 | DIN 6319-14,2-G-NI | 14.2   | 24 | 36 | 20   | M 12   | 6  | 9    | 25                                     | 38  |
| GN.31019 | DIN 6319-16,5-G-NI | 16.5   | 28 | 40 | 24.8 | M 14   | 6  | 9.5  | 34                                     | 47  |
| GN.31022 | DIN 6319-19-G-NI   | 19     | 30 | 44 | 26   | M 16   | 7  | 10.4 | 47                                     | 64  |
| GN.31026 | DIN 6319-23,2-G-NI | 23.2   | 36 | 50 | 31   | M 20   | 8  | 12.2 | 73                                     | 92  |
| GN.31032 | DIN 6319-28-G-NI   | 28     | 44 | 60 | 37   | M 24   | 10 | 15.7 | 105                                    | 165 |
| GN.31036 | DIN 6319-35-G-NI   | 35     | 56 | 68 | 49   | M 30   | 12 | 19.7 | 168                                    | 190 |

